

The Preferred Motion Control Input Device
for 3D Modeling & Design in

CATIA®



▲
The Spaceball 2003 FLX
3D Motion Controller



SPACEBALL® FLX SERIES

BENEFITS...

- Improves Interactivity
- Increases Productivity 25% or More
- Improves Design Comprehension
- Allows Earlier Detection of Errors
- Greater Opportunity to Experiment, Modify and Improve

3D INTERACTIVE MOTION CONTROLLERS

Spacetec IMC's Spaceball® 3D motion controllers allow users to PAN, ZOOM and ROTATE 3D models quickly and easily with simultaneous six-degrees-of-freedom (6DOF) control as they build, modify and inspect their designs – *right within CATIA.*

Features include...

- **NEW! Spaceball FLX PowerSensor®.** New technology allows the ball to move – greatly improving intuitive interaction and ease of use.
- **Natural and intuitive interaction.** The Spaceball's PowerSensor ball is the ideal shape for moving, viewing and rotating 3D models.
- **NEW! Dialbox emulation and LPFK functionality plus 3D motion control – three products in one!**
- **Ergonomically designed base.** Reduces hand and arm stress and fatigue.
- **NEW! User customizable hardware and software function buttons.**
- **NEW! Individual axis sensitivity settings for translations and rotations.**
- **NEW! Custom configurations for multiple users.**
- **Instant switching between full 6DOF and single axis modes.**
- **Easy installation and management.**
- **Three year warranty.**
- **And more!**



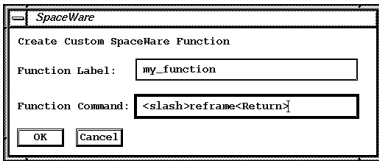
▲
Spacetec IMC technology is used for highly complex modeling, such as designing the new 1998 Dodge Durango.

Spacetec IMC Corporation develops, manufactures and supports their own patented technology, providing the most advanced and most widely used 3D interactive motion control hardware and software in the automotive, aerospace, and consumer design industries worldwide!



▲
ALSO AVAILABLE
The Spaceball 3003 FLX

Simple, Quick & Customizable



***Custom Functions.** With the Spaceball's new SpaceWare® software, you can assign CATIA keyboard functions to any of the Spaceball's eight programmable function buttons.

***Custom Palettes.** The SpaceWare software allows you to define multiple 8-button function palettes for specific tasks. For example, customize one palette for drafting, one for surfacing, and another for solid modeling.

***Custom Configurations.** With a flexible user installation program, you can easily configure multiple users by customizing the operation of the Spaceball to their own unique settings.

*Customization features currently available for UNIX applications only.

Spaceball 3D Motion Controllers complete the True 3D Desktop equation (3D Workstation, 3D Application AND 3D Input Control), serving as the interface for moving and viewing 3D models in any direction or viewpoint. Used in conjunction with the mouse, the Spaceball provides a natural and intuitive way to manipulate your 3D models within CATIA.

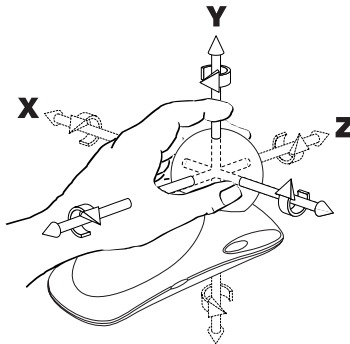
Easy To Use. Simply rest the palm of the hand on the Spaceball device base. The hand rests in a very natural and relaxed position. Gently push, pull or twist the Spaceball's PowerSensor ball for smooth and dynamic model manipulation.

Map all of the eight Spaceball function buttons to keyboard-defined CATIA functions. Also create custom button functions, custom palettes and configure multiple user settings.

The Spaceball's EIGHT customizable function buttons are quickly accessible from a small SpaceWare pop-up window.

Improve your interactivity within CATIA with a Spaceball FLX. Spaceball SpaceWare software allows users to adjust individual X, Y and Z axis sensitivity and provides instant switching between full 6DOF and three single axis modes...

- Translation Mode (move along the X, Y, and Z axes only)
- Rotation Mode (rotate along the X, Y, and Z axes only)
- and Dominant Axis Mode.



Spaceball 2003 Specifications

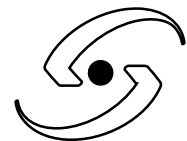
Weight:	1.75 lb. (.45 kg) approx.
Dimensions (LxHxW):	9.1" x 3.5" x 4.9" (230 x 90 x 125 mm)
Ball Diameter:	2.7" approx. (68 mm)
Power:	+6V to +12V DC, 6mA
Internal Resolution:	10 bits
Function Buttons:	8 programmable located on device and 1 dedicated Rezero.

Spaceball 3003 Specifications

Weight:	1.5 lb. (.68 kg) approx.
Dimensions (LxHxW):	8.0" x 3.3" x 4.5" (200 x 85 x 115 mm)
Ball Diameter:	2.7" approx. (68 mm)
Power:	+6V to +12V DC, 6mA
Internal Resolution:	10 bits
Function Buttons:	10 programmable (2 located on device and 8 SoftButtons via software pop-up window) and 1 dedicated Rezero.

Additional Information

Software Drivers:	SpaceWare for Windows 95/NT and UNIX
Software Updates:	http://www.spacetec.com
Warranty:	Three years (standard)



SPACETEC IMC CORPORATION

The Premier Provider of
3D Interactive Motion Control Solutions

CORPORATE

SPACETEC IMC CORPORATION
TEL: (978) 275 6100 • FAX: (978) 275 6200
EMAIL: INFO@SPACETEC.COM

FRANCE

SPACETEC IMC SARL
TEL: 02-40-41-73-19 • FAX: 02-40-35-30-91
EMAIL: INFO-FR@SPACETEC.COM

GERMANY

SPACETEC IMC GMBH
TEL: 089-23035-255 • FAX: 089-23035-298
EMAIL: INFO-DE@SPACETEC.COM

UNITED KINGDOM

SPACETEC IMC LIMITED
TEL: 1773-826-622 • FAX: 1773-826-633
EMAIL: INFO-UK@SPACETEC.COM

Visit Our Web Site on the Internet at...
www.spacetec.com